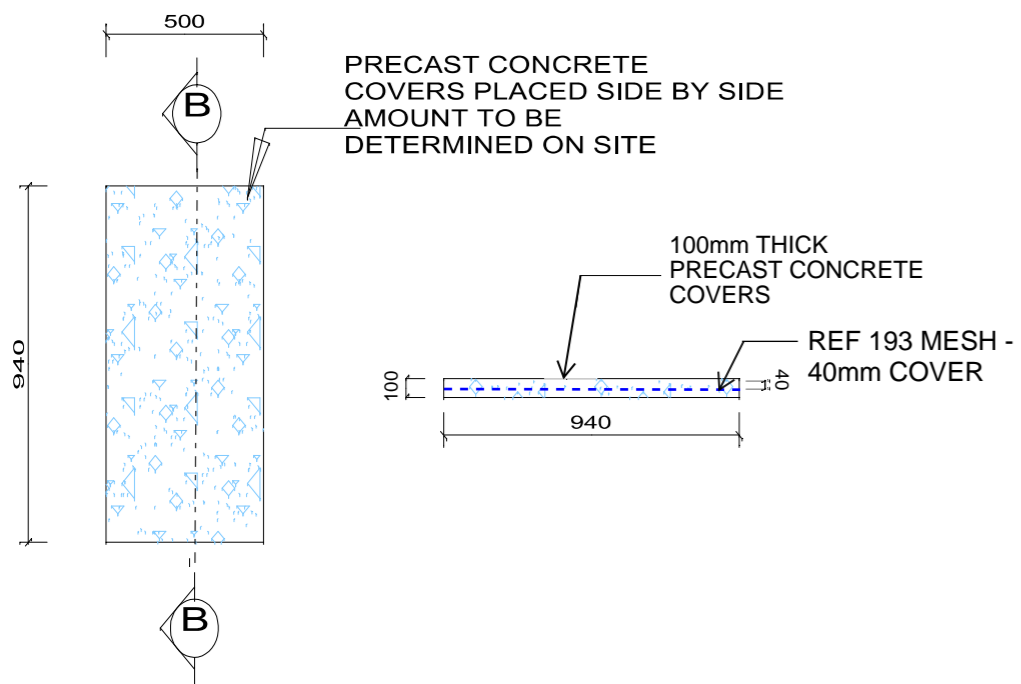


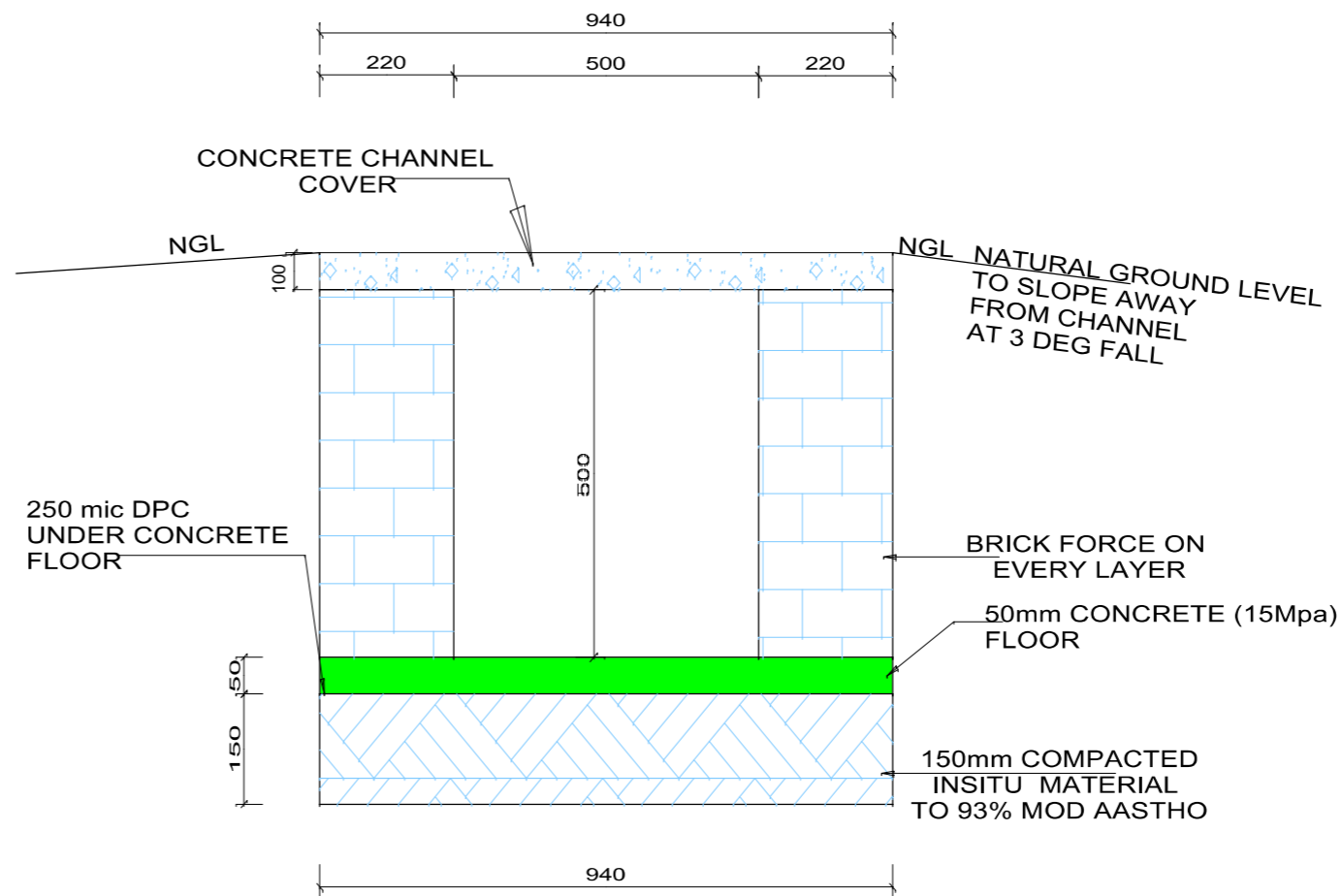
### OXYGEN SUPPLY LINE CHANNEL

1:50



### CONCRETE COVER SECTION B - B

1:20



### OXYGEN SUPPLY LINE CHANNEL SECTION A - A

1:10

#### AMENDMENT

No	DATE	DESCRIPTION
1	28/11/24	CONCRETE COVERS THICKNESS REVISED ,MESH ADDED



#### CLIENT



#### PROJECT NAME

UNIVERSITY TEACHING HOSPITAL  
LUSAKA, ZAMBIA

#### PLAN DESCRIPTION

OXYGEN SUPPLY LINE CHANNEL

#### SCALE

AS SHOWN

#### DATE

09/09/2024

#### CONSTRUCTION DRAWINGS

#### PLAN NO

004/UTH/02